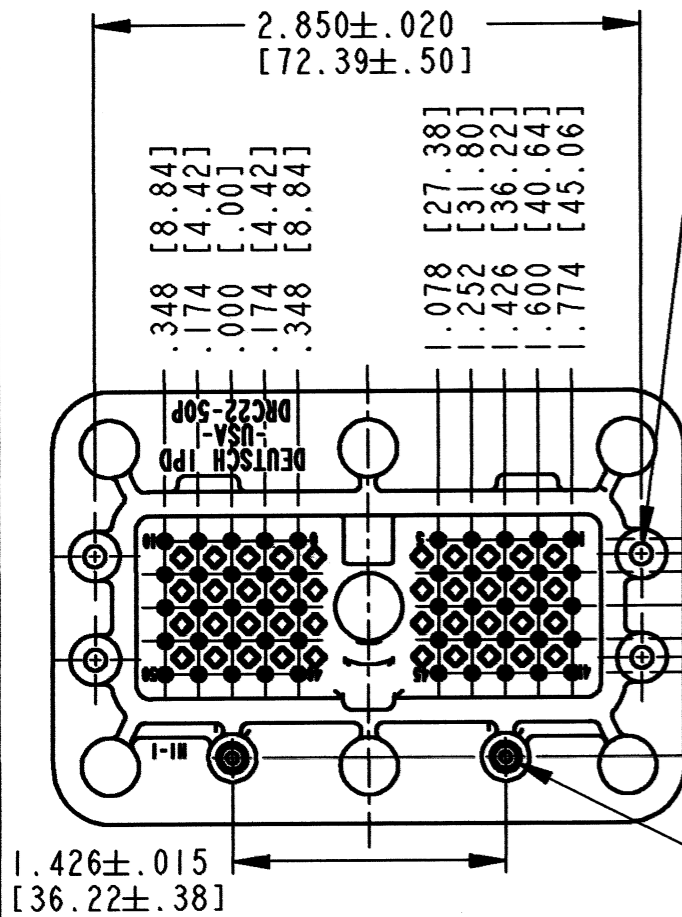
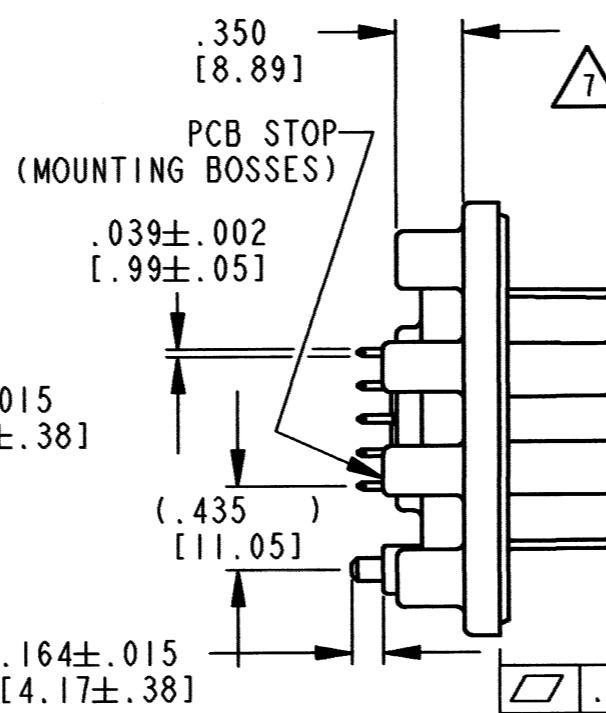


3-DIMENSIONAL VIEW

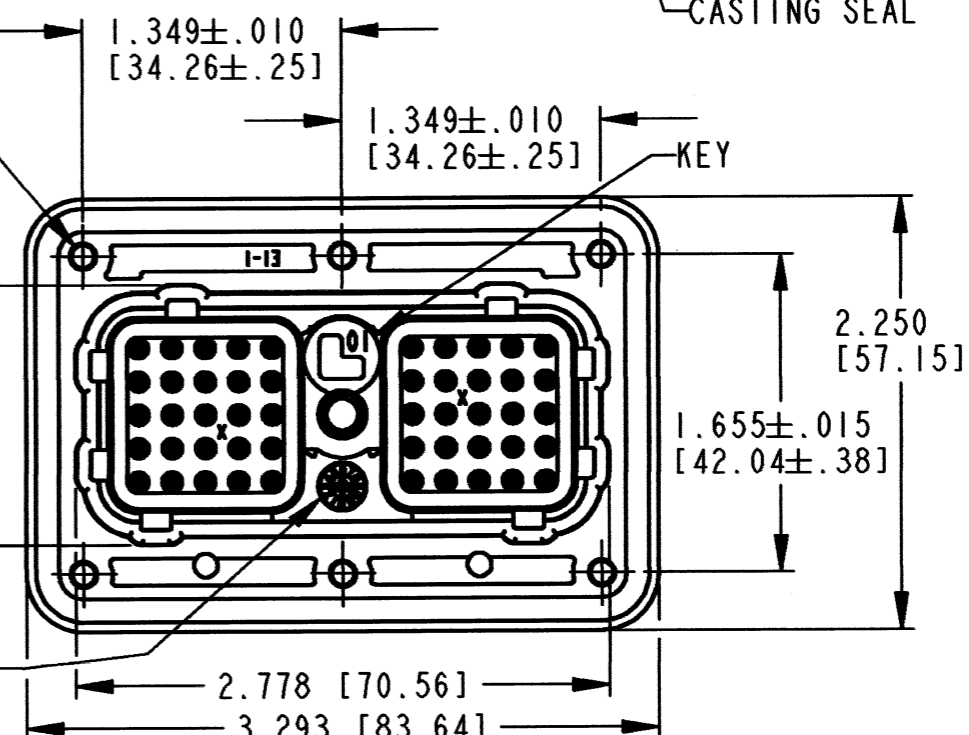
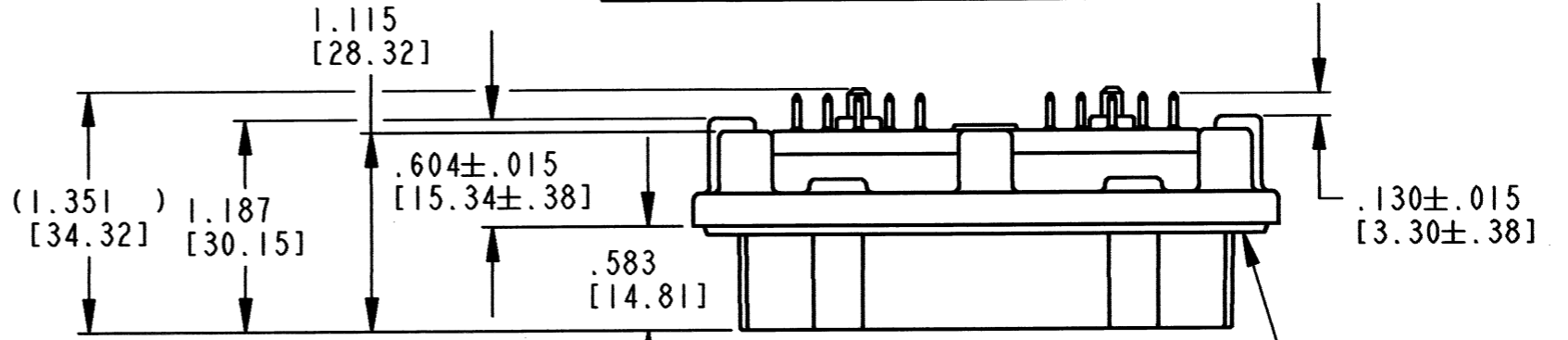
REV	REVISIONS			
E	SYM	DESCRIPTION	DATE	APPROVED
	B	REVISED PER E.O. PI8877	3-30-05	R.D.R.
	C	REVISED PER E.O. PI9527	5-22-07	R.D.R.
	D	REVISED PER E.O. PI9558	7-6-07	R.D.R.
	E	REVISED PER E.O. P20602	9-7-10	ADR



4X ϕ .110±.005 [2.79±.12] Δ 8
 .375 ±.015 DEEP
 USES #4-20 SELF TAPPING SCREW



Δ 7 6X ϕ .120±.005 [3.05±.12]
 .472 ±.015 DEEP
 USES #6-19 SELF TAPPING SCREW



- NOTES:
- DIMENSIONS ARE IN INCHES [MILLIMETERS].
 - DIMENSIONS ARE \pm .025 [0.63] UNLESS OTHERWISE SPECIFIED.
 - THIS RECEPTACLE MATES WITH DRC26-50S**-* (**** = ALL MODIFICATIONS). CONSULT FACTORY FOR MODIFICATIONS.
 - RECEPTACLE IS SHIPPED WITHOUT DUST CAP.
 - MATERIALS: HIGH TEMP NYLON GF - BLACK
 CONTACT: COPPER ALLOY GOLD INTERFACE SIDE, TIN PCB SIDE
 CASTING SEAL: SILICONE RUBBER
 - PCB CONTACT TOLERANCE FROM DATUMS: \pm .008 [0.20]

Δ 8 RECOMMENDED SCREW: 4-20 [M3.12 x 1.27] THREAD-FORMING SCREW. TORQUE: 6-10 IN-LB [.68-1.13 NM].

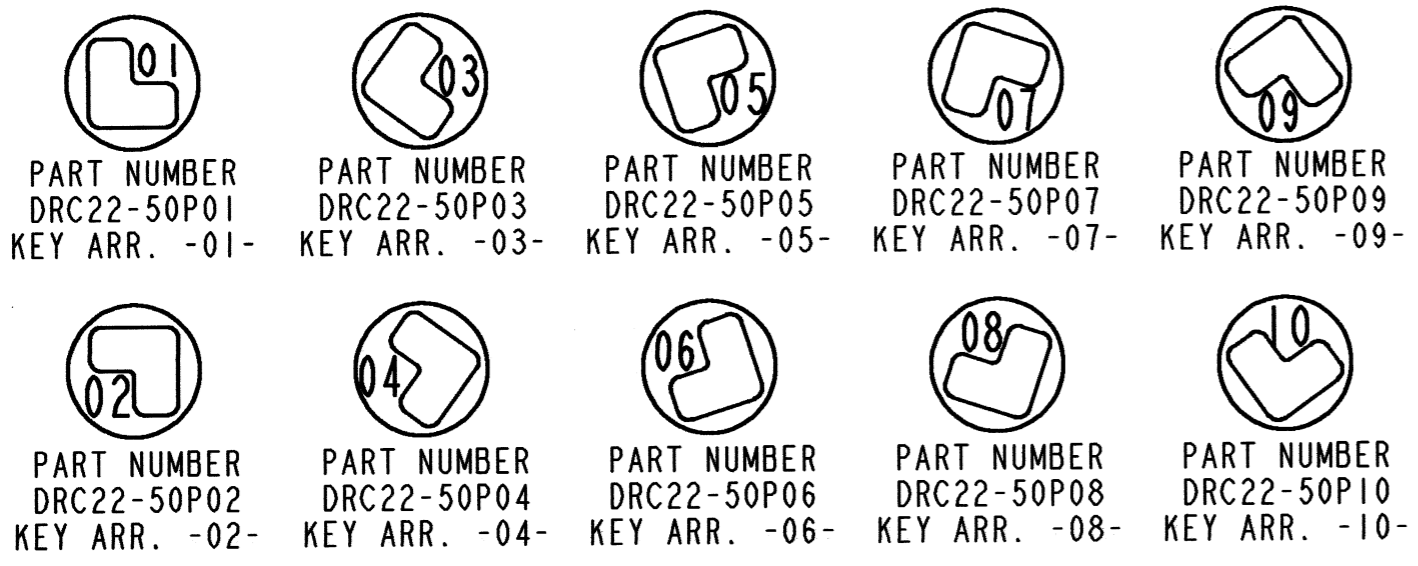
Δ 7 RECOMMENDED SCREW: 6-19 [M3.63 x 1.34] THREAD-FORMING SCREW. TORQUE: 10-20 IN-LB [1.13-2.25 NM].

SIGNATURE & DATE	
DR	S. THEIS 10/10/00
CHK	<i>[Signature]</i> 9/1/10
PE	<i>[Signature]</i> 9/1/10
APPD	<i>[Signature]</i> 9-7-10
SCALE	NONE WT

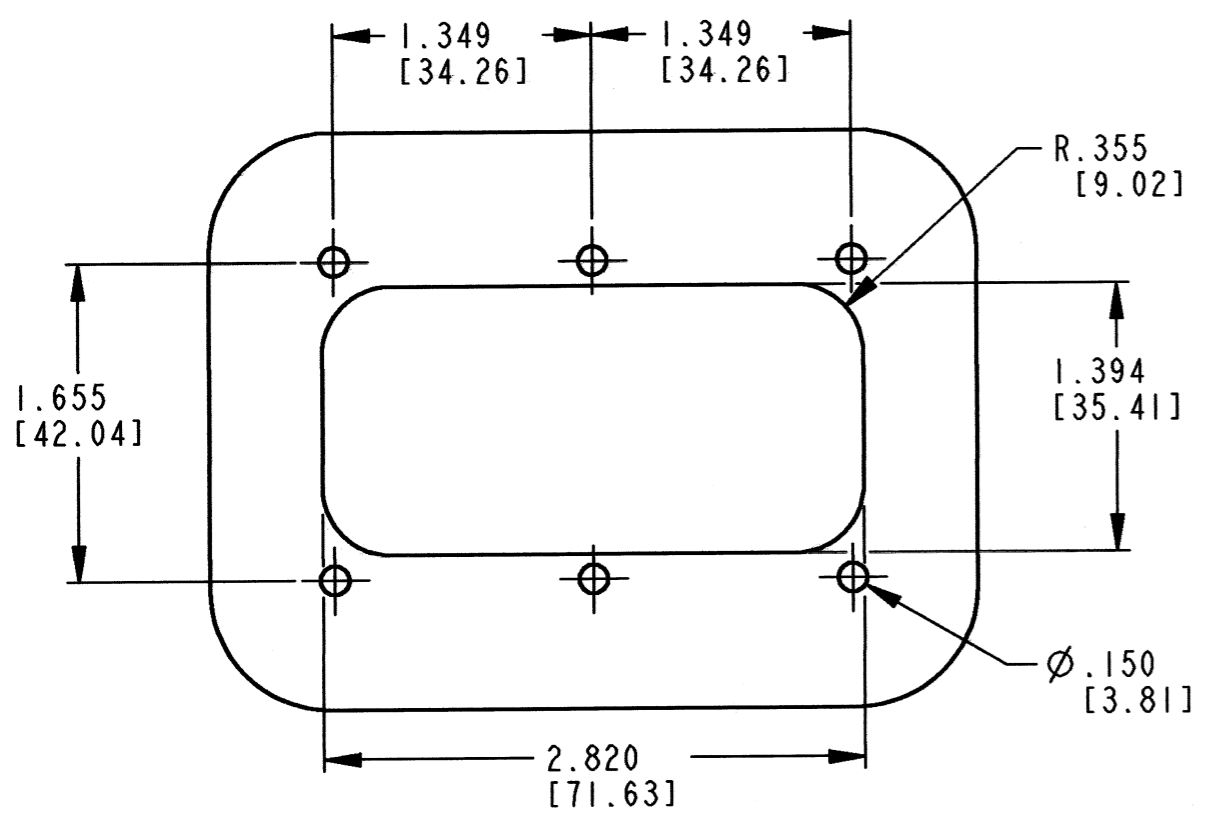
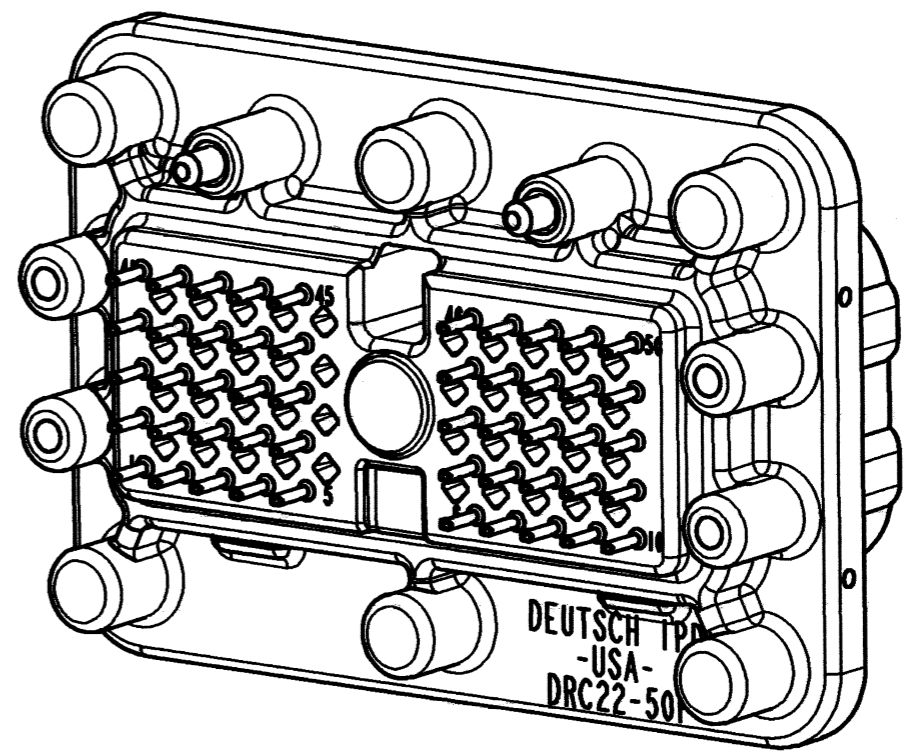
RECEPTACLE WITH FLANGE
 50 PIN
 COLOR: BLACK
 DRC SERIES
 ENVELOPE

EP 100	MATL. CODE
3850 INDUSTRIAL AVE. HEMET, CA 92545	
B	DRC22-50P**
DWG SIZE	CODE 11139 SHEET 1 OF 2

REV E	DRC22-50P * *	REVISIONS			
		SYM	DESCRIPTION	DATE	APPROVED
		E	SEE SHEET 1	9/17/10	DM



KEY ARRANGEMENTS
 ** - AT END OF PART NUMBER DESIGNATES KEYING ARRANGEMENT. EX: DRC22-50P02



RECOMMENDED PANEL CUT OUT
 -FOR REFERENCE ONLY-
 SURFACE FINISH TO BE 63/ OR BETTER

NOTES:

	SIGNATURE & DATE	RECEPTACLE WITH FLANGE 50 PIN COLOR: BLACK DRC SERIES	EP 100	MATL. CODE
DR	S. THEIS 9/6/00		3850 INDUSTRIAL AVE. HEMET, CA 92545	
CHK	DMeyer 9/17/10			
PE	DMeyer 9/17/10			
APPD	DMeyer 9/17/10			
SCALE	NONE	WT		
		ENVELOPE	B	DRC22-50P * *
			DWG SIZE	CODE 11139 SHEET 2 OF 2